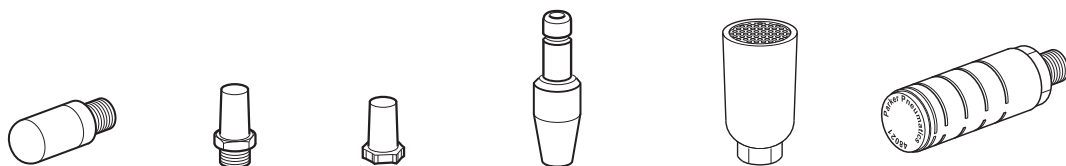




# Exhaust silencers

## Exhaust silencers

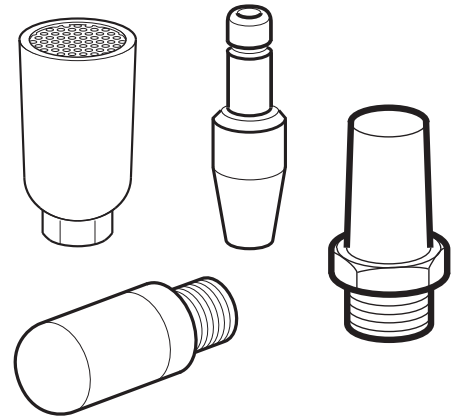


	P6M-PA... Porous polythene	9090... Sintered bronze Male	9721... Sintered bronze Female	PZC all metal	P6M-MA Heavy duty	48021000 Self Cleaning
Adjustable restrictor						
Exhaust silencing	●	●	●	●	●	●
Oil removal						
Disposable	●					
Renewable element						
Cleanable		●			●	
Modular						
Optional manifold						
No of connections	1	1	1	1	1	1
Push-in		●				
Male ports	●	●		●		●
Female ports			●		●	
Size						
G1						
G3/4						
G1/2						
G3/8				8 mm		
G1/4				6 mm		
G1/8				4 mm		
M5						
Refer to page	4.4 - 4.5	4.4 - 4.5	4.4 - 4.5	4.4 - 4.5	4.4 - 4.5	4.4 - 4.5



# Exhaust silencers

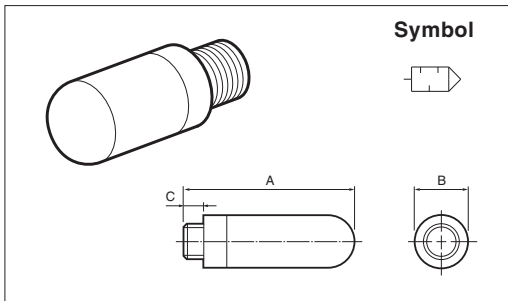
- All plastic ultra light weight versions
- Sintered metal
- All metal versions for heavy duty applications
- Versions with push-in connections
- High noise level reduction
- Low back pressure generation



## Operating and additional information

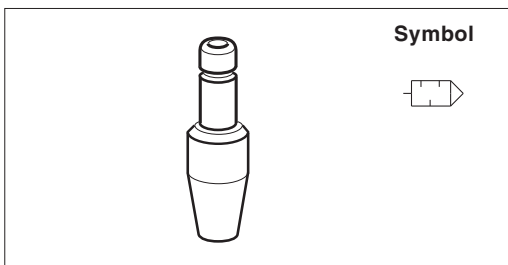
Plastic	Working temperature: -10°C to +80°C			
	Efficiency 92%			
Metal	Working temperature: -10°C to +74°C	Working pressure	up to 17 bar	

## 500 Plastic Series



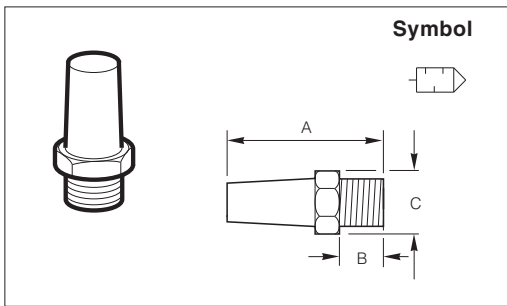
Port thread	A	Ø B	C	Weight g	Order code
M5	23	6,5	4	0,01	<b>P6M-PAC5</b>
G1/8	29	14	6	0,02	<b>P6M-PAB1</b>
G1/4	34	17	6	0,04	<b>P6M-PAB2</b>
G3/8	60	25	9	0,06	<b>P6M-PAB3</b>
G1/2	64	25	11	0,10	<b>P6M-PAB4</b>
G3/4	140	38	14	0,50	<b>P6M-PAB5</b>
G1	160	48	20	0,62	<b>P6M-PAB6</b>

## Push-in Series



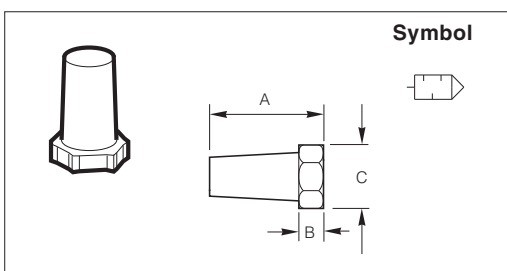
Port mm	Height on Push-in	Weight g	Order code
4	20,0	0,040	<b>PZC-X14</b>
6	35,5	0,025	<b>PZC-S1006</b>
8	34,0	0,030	<b>PZC-S1008</b>

## Sintered bronze Series



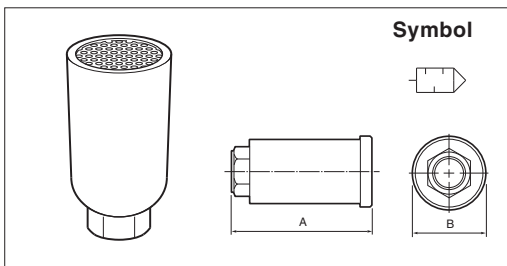
Port thread	A	B	A/F C	Weight g	Order code
M5	23	6,5	4	0,003	<b>9721 9000-05</b>
G1/8	24	10	12	0,009	<b>9090 0507-00</b>
G1/4	32	11	16	0,019	<b>9090 0508-00</b>
G3/8	43	13	21	0,041	<b>9090 0509-00</b>
G1/2	60	16	24	0,068	<b>9090 0510-00</b>
G3/4	75	10	32	0,126	<b>9090 0511-00</b>
G1	77	12	37	0,188	<b>9090 0515-00</b>

## Sintered Bronze Series (female)



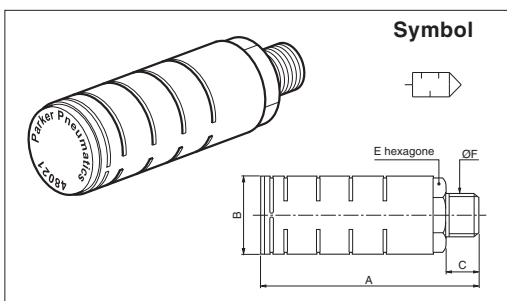
Port mm	A	Ø B	A/F C	Weight g	Order code
G1/8	15	8	13	0,060	<b>9721 9004-04</b>

## Heavy Duty Series



Port Female	A	Ø B	C	Weight g	Order code
G3/8	83	37	-	0,124	<b>P6M-MA13</b>
G1/2	105	51	-	0,362	<b>P6M-MA14</b>
G3/4	143	73	-	0,670	<b>P6M-MA16</b>
G1	143	73	-	0,666	<b>P6M-MA18</b>

## Self Cleaning, 48 Series

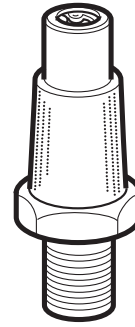


Port thread	A	Ø B	C	A/F E	Weight g	Order code
G1/8	52	16	8	12	0,010	<b>48021000</b>
G1/4	53	22,5	10	17	0,018	<b>48041000</b>
G3/8	78	32	12,7	24	0,042	<b>48061000</b>
G1/2	78	32	14	24	0,042	<b>48081000</b>
G3/4	12	39	16	33	0,082	<b>48121000</b>
G1	120	39	20	33	0,082	<b>48161000</b>

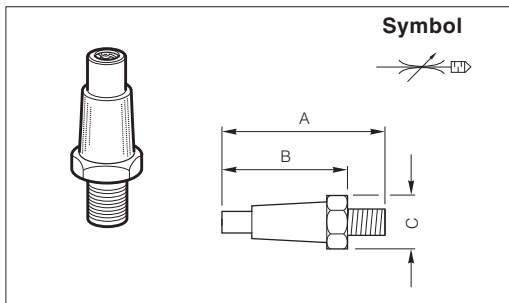
# Exhaust silencers

## Restrictor - Silencers

- Metal, stainless steel or plastic versions
- Screwdriver adjustment
- Simple control of cylinder speeds
- High noise level reduction



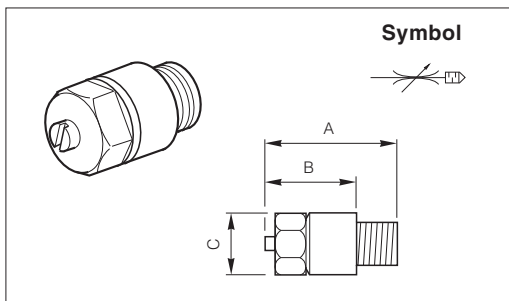
### Sintered Metal Series



Port thread	A	B	A/F C	Weight g	Order code
M5	16	11	7,6	0,04	<b>33006</b>
R1/8	33	25	13	0,16	<b>43006*</b>
R1/4	49	35	17,5	0,24	<b>T53006</b>
R3/8	68	52	27	0,56	<b>T63006A</b>
G1/2	64	45	27	0,60	<b>B73006</b>

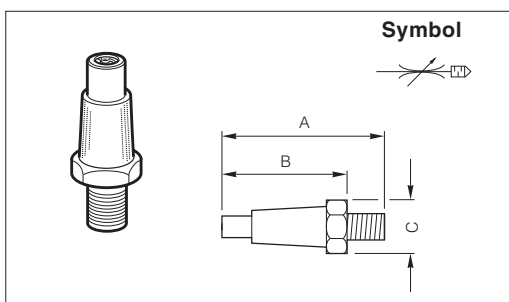
\* Sleeve type hand adjusted

### Sintered Plastic Series



Port thread	A	B	Ø C	Weight g	Order code
G1/8	23	16	7	0,002	<b>9301 0509-01</b>
G1/4	32	23	9	0,004	<b>9301 0509-02</b>
G3/8	40	30	10	0,010	<b>9301 0509-03</b>
G1/2	50	38	12	0,050	<b>9301 0509-04</b>

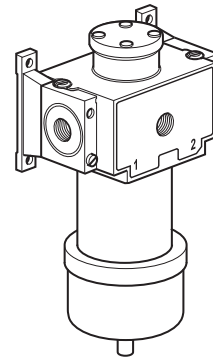
### Sintered Stainless Steel Series



Port thread	A	Ø B	C	Weight g	Order code
G1/8	33	25	13,0	0,040	<b>9126 9001-95</b>
G1/4	49	35	17,5	0,040	<b>9126 9001-96</b>

## Reclassifier - Silencers

- Removes oil mist from exhaust airs
- Efficiently silences exhaust air
- Easily replaceable element
- Up to 6 exhaust lines
- Gauge measurement of element efficiency
- Modular design



### Operating and additional information

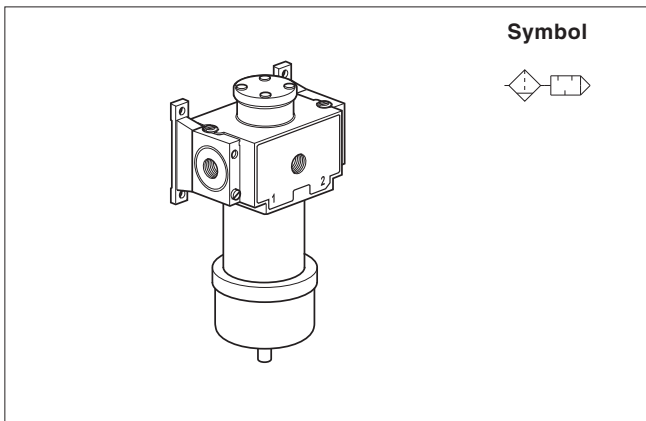
Plastic Working temperature: -0°C to +66°C  
Efficiency >99%

Flow rate Max 30l/s

The Collectair enables the collection of all the exhaust lines in a system to be routed through a filter element which efficiently removes solid particles and oil vapours. It also silences the exhausting air to approximately 25 dBa. A special gauge shows the level of filter contamination by measuring the over pressure in the element.

Available with either G1/4 , G3/8, G1/2 or G3/4 modular port blocks, the top face of the unit also features 4 rubber grommets for push-in connection of Ø4 mm to Ø10 mm flexible tubing.

## Collectair Series, complete units



**Note:** To connect units in series order a complete unit plus one body connector per additional unit.  
Body connector Part No **P3E-KA00CBN**

Port thread	A	A1	B	B1
G1/4	102	185	252	202
G3/8	102	185	252	202
G1/2	102	185	252	202
G3/4	102	185	252	202

C	C1	C2	Weight kg	Order code
91	116	117	1,200	<b>P6R-CB12B*</b>
91	116	117	1,200	<b>P6R-CB13B*</b>
91	116	117	1,200	<b>P6R-CB14B*</b>
91	116	117	1,200	<b>P6R-CB16B*</b>

\*Supplied complete with port blocks, wall mounting bracket and pressure gauge to indicate condition

## Collectair Series, basic modules

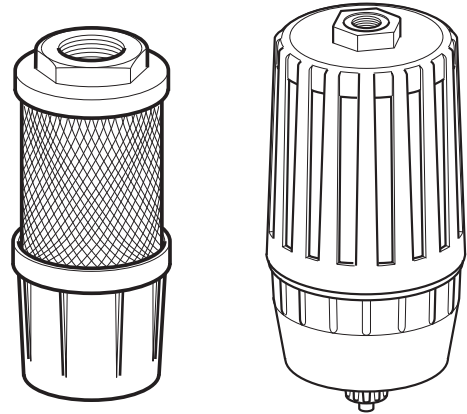
Supplied complete less port blocks, wall brackets and pressure gauge.

Port size	Type of Reclassifier	Weight kg	Order code
None	Collectair	1,076	<b>P6R-CA00N</b>
None	Replacement filter cartridge	0,122	<b>P6R-CK00E</b>

# Exhaust silencers

## Reclassifier - Silencers Metal Series, Repairable and Disposable versions

- Removes oil mist from exhaust airs
- Efficiently silences exhaust air
- Improves working conditions



### Operating and additional information

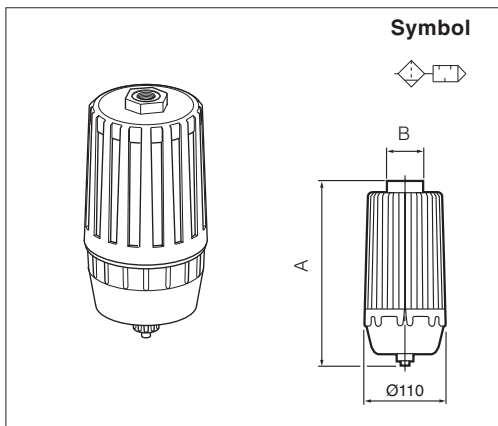
#### Metal repairable version

Working temperature	0 °C to 66 °C max.
Working pressure	Max 7 bar
Efficiency	Better than 99%
Maximum flow rate	G1/2, G3/4 small unit 27,8 l/s G3/4, G1 large unit 50 l/s

#### Disposable version

Working temperature	0° C to 52 °C max.
Working pressure	Max 7 bar
Efficiency	Better than 99%
Maximum flow rate	See graph

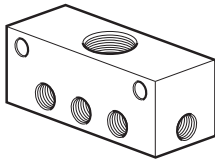
### Metal Repairable Series



Port thread	Type	A	Ø	A/F B	Weight kg	Order code
G1/2	Small	182	110	50	0,572	<b>3514S</b>
G3/4	Small	182	110	50	0,592	<b>3516S</b>
G3/4	Large	297	110	55	1,100	<b>3516</b>
G1	Large	297	110	55	1,100	<b>3518</b>

Replacement Element	Weight kg	Order code
Small	0,200	<b>3514S-2</b>
Large	0,200	<b>3516-2</b>

## Manifold for Metal Repairable version



The manifold is available for G3/4 sizes only.  
For other sizes consult Technical Sales Dep't.

No ports	Weight kg	Order code
5	0,270	<b>M3516-5</b>
7	0,432	<b>M3516-7</b>
9	0,574	<b>M3516-9</b>
11	0,722	<b>M3516-11</b>
13	0,870	<b>M3516-13</b>
<b>Wall mounting kit</b>	0,040	<b>3516-W</b>

## Disposable version



Symbol



Port size	Weight kg	Order code
G1/2	0,104	<b>ECS B-2</b>
G3/4	0,134	<b>ECS B-4</b>